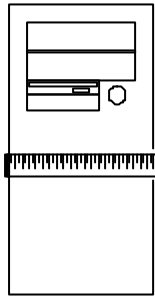
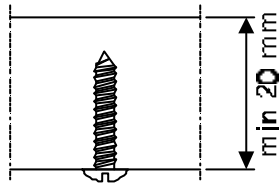
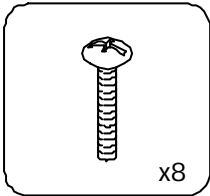
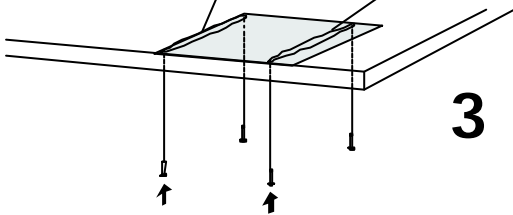
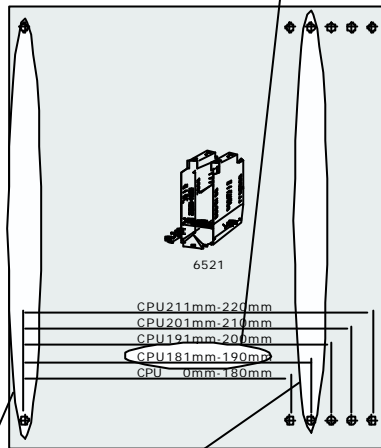


6523

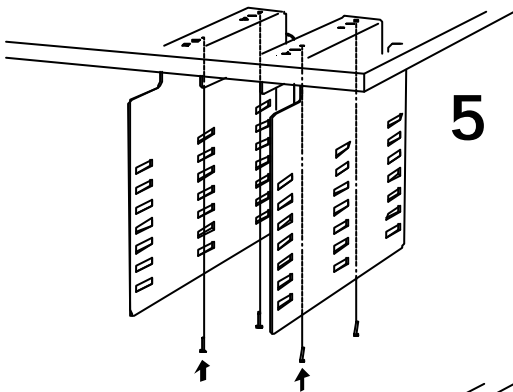


CPU = X mm (185 mm)

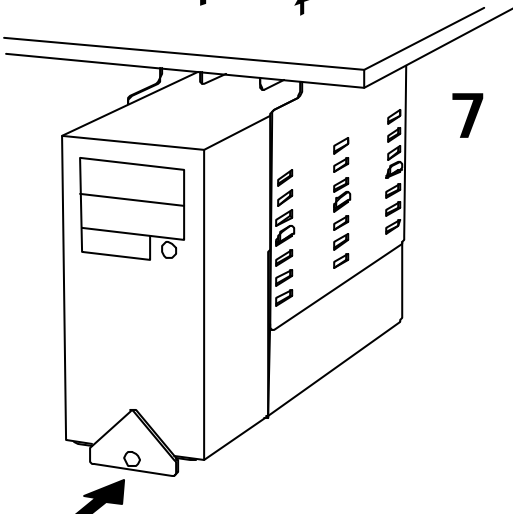
1



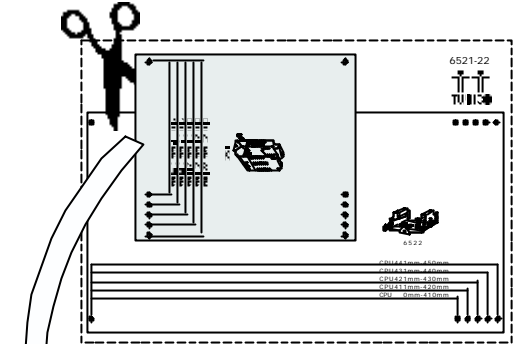
3



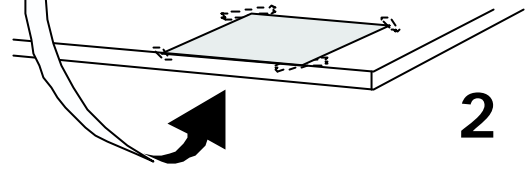
5



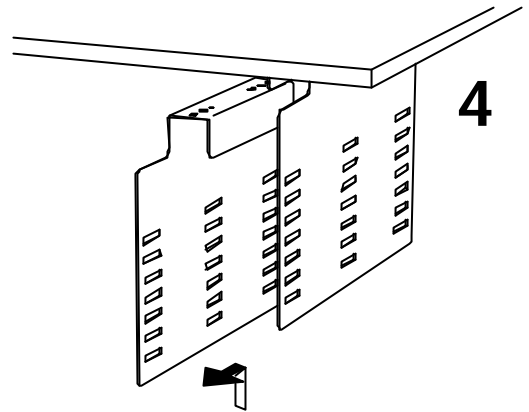
7



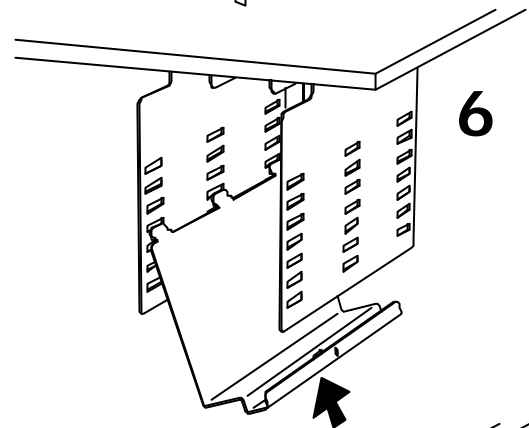
2



4



6



8

6523-24

