





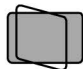

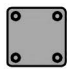



# Product name: Slatrail mount arm

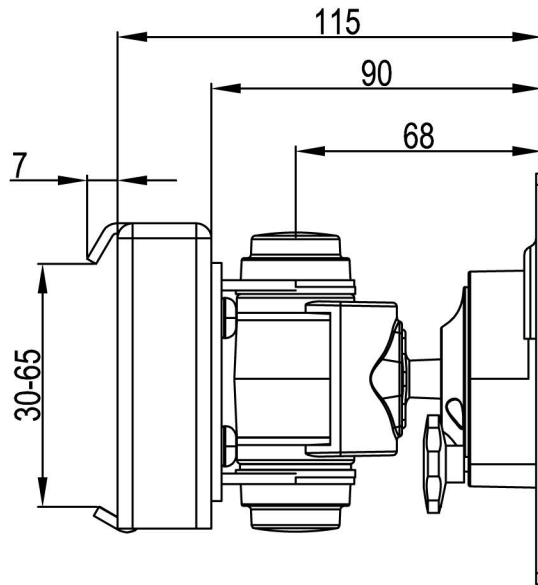
## Model No.: 80951

### Product Features

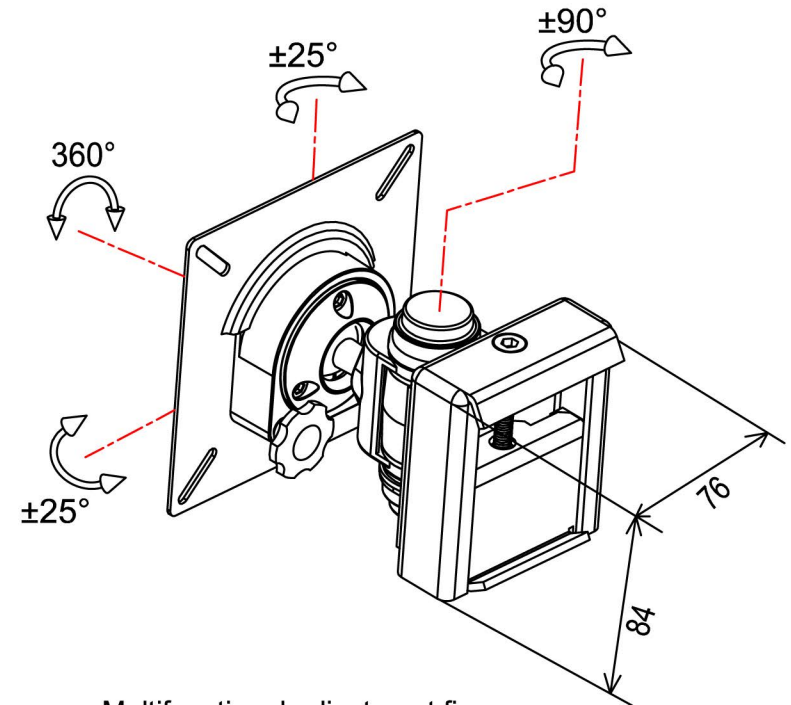
### Technical parameter

- Easy to adjust the monitor angle and position to satisfy the different view.
- Multi-screens effect could be achieved in cooperation with the PF series, and independent assortment is feasible if in need.

											Slatrail mount
	LCD Size	Wt.Capacity(kg)	Lift(mm)	Tilt	Swivel	Pivot	VESA	Packing size(mm)	NW (kg)	GW(kg)	Installation range(mm)
↙30"	13	—	±25°	±25°	360°	75*75 100*100	Inner:140*140*115 Outer:295*295*245 Inner/outer:8/1	Inner: 1.05 Outer: 8.4	Inner: 1.2 Outer: 10	30-65	



Product Dimensions



Multifunctional adjustment figure