

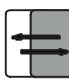



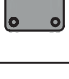


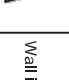
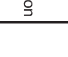


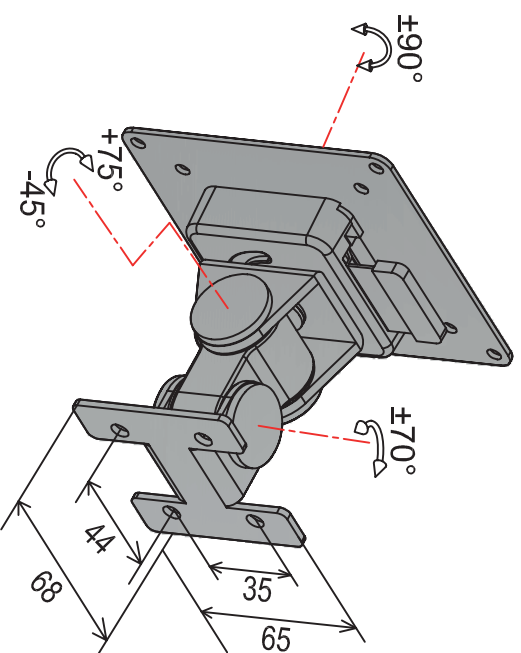
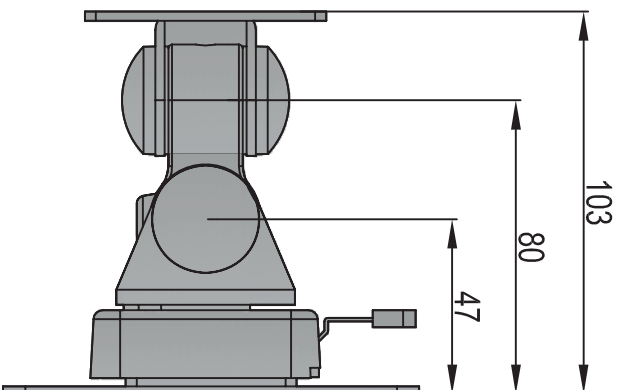
Product name: Wall mount arm

Product Features

- Easy to adjust the monitor angle and position to satisfy the different view.
- Wall mount, the multi monitors function could be achieved according to the need.

Technical parameter

	LOD Size	$\leq 30''$
	Wt.Capacity(kg)	13
	Lift(mm)	—
	Tilt	$+75^{\circ} \sim -45^{\circ}$
	Swivel	$\pm 70^{\circ}$
	Pivot	$\pm 90^{\circ}$
	VESA	75*75 100*100
	Packing size(mm)	Inner:120*120*120 outer:152*55*140 Inner/outer: 10/1
	NW (kg)	Inner: 0.8 Outer: 8
	GW(kg)	Inner: 0.9 Outer: 9.4
	Wall installation	LxW(mm) 44X35



Product Dimensions

Multifunctional adjustment figure