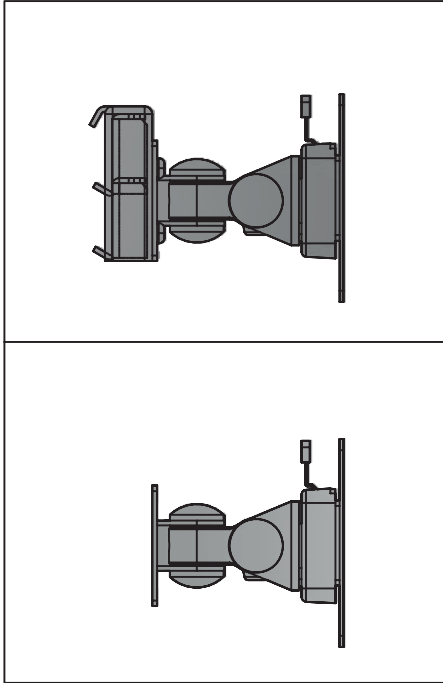


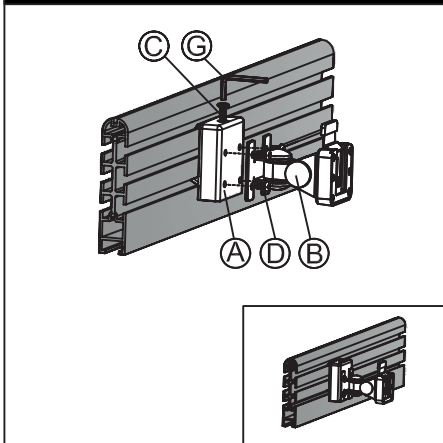
# Installation Manual



## Parts list

No.	ITEM	SPECS	S104 QTY	S105 QTY
A			1	
B			1	1
C		M6*50	1	
D		M6*10	4	
E			1	1
F		M4*12	4	4
G		M4	1	1
H		M3	1	1
I		Hardware not included		
J				

## Table screen Installation



## Wall mount Installation

