





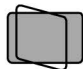

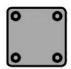



# Product name: Multi-screen Gas Arm

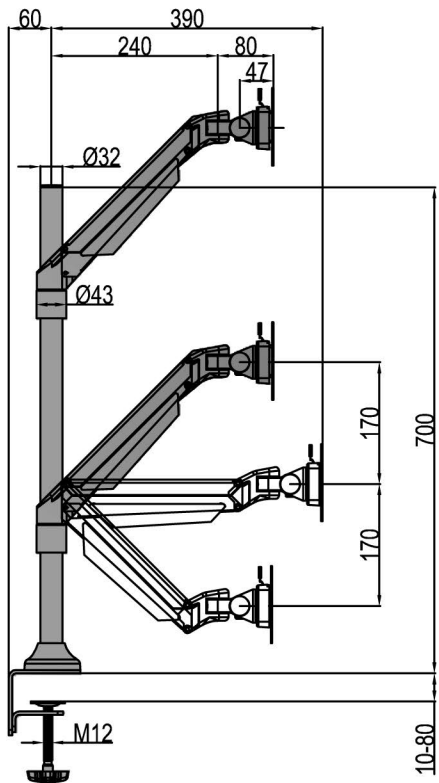
## Model No.: 80935

### Product Features

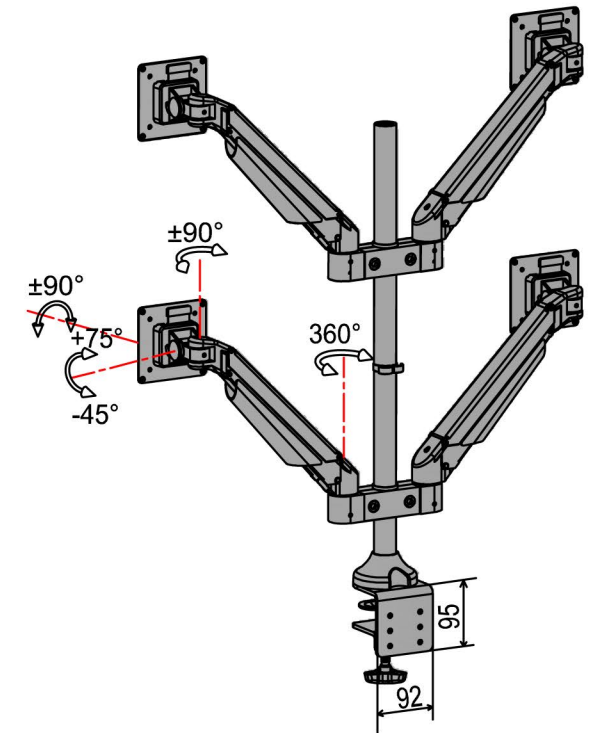
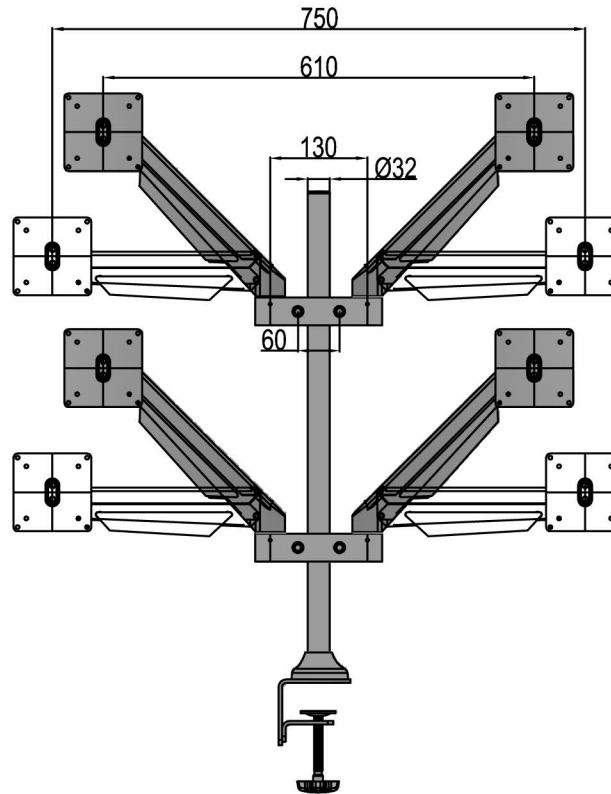
- Easy to adjust the monitor angle and position to satisfy the different view.
- Use the gas cylinder adjust design, make free up&down movement for the monitors.
- Save the space of desktop in suspending 4 monitors in one arm.

### Technical parameter

										Desk thickness application (mm)	
LCD Size	Wt.Capacity(kg)	Lift(mm)	Tilt	Swivel	Pivot	VESA	Packing size(mm)	NW (kg)	GW(kg)	Thru desk	desk clamp
≤24"	2-10 9-21	340	+75° ~ -45°	±90°	±90°	75*75 100*100	965*255*150	10.3	11.5	30	80



Product Dimensions



Multifunctional adjustment figure