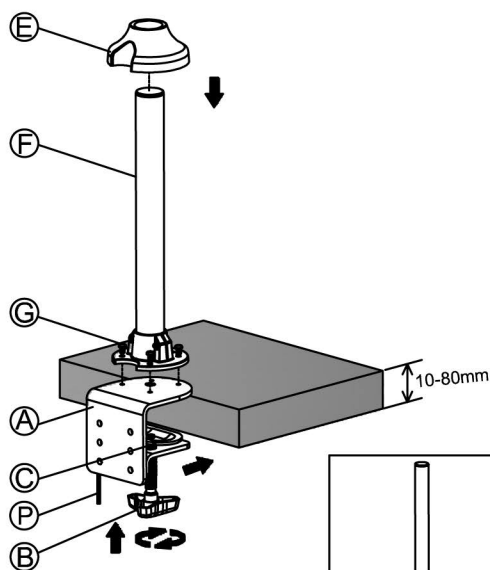
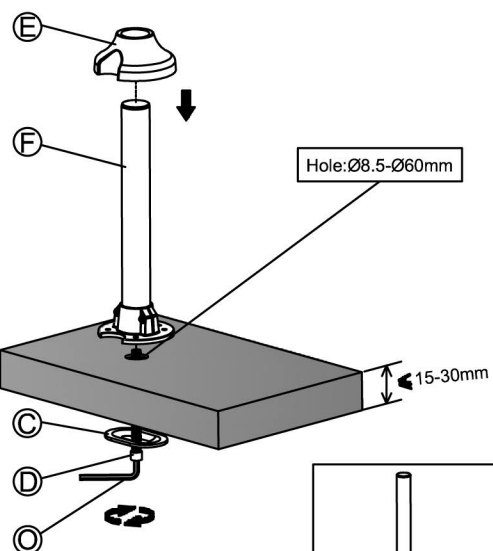


Installation Manual

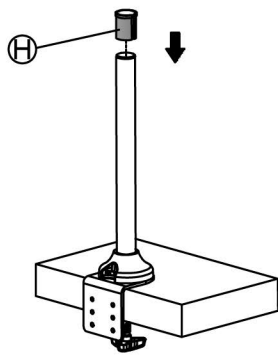
Desk Clamp



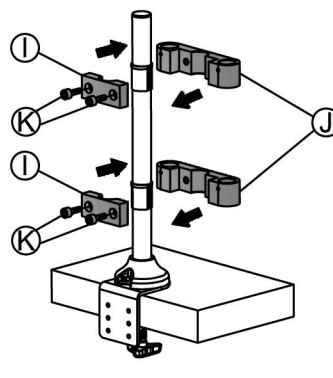
Thru-Desk



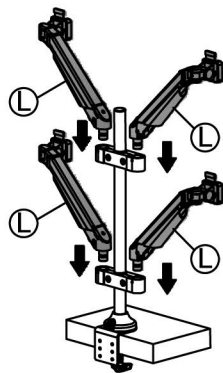
1



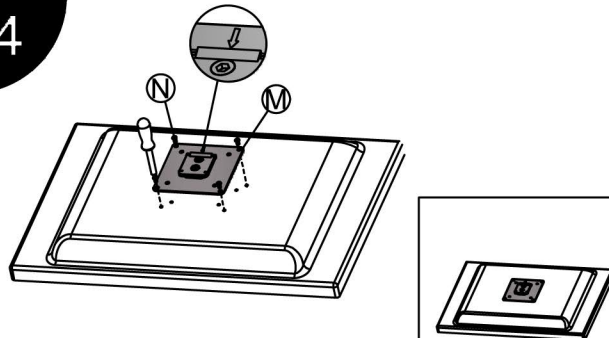
2



3

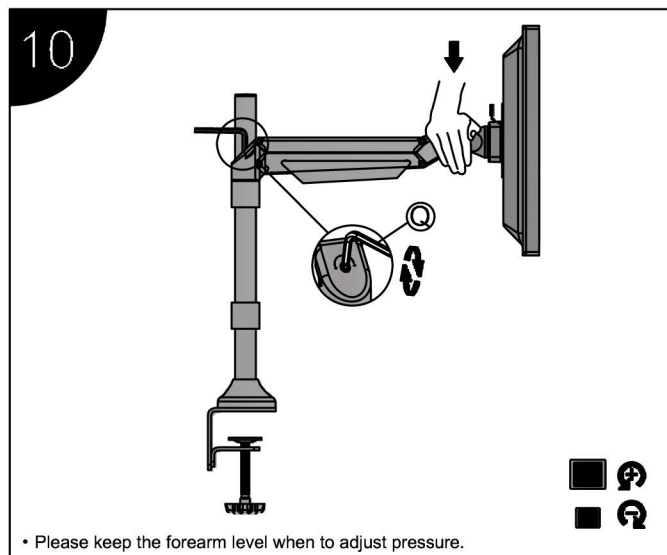
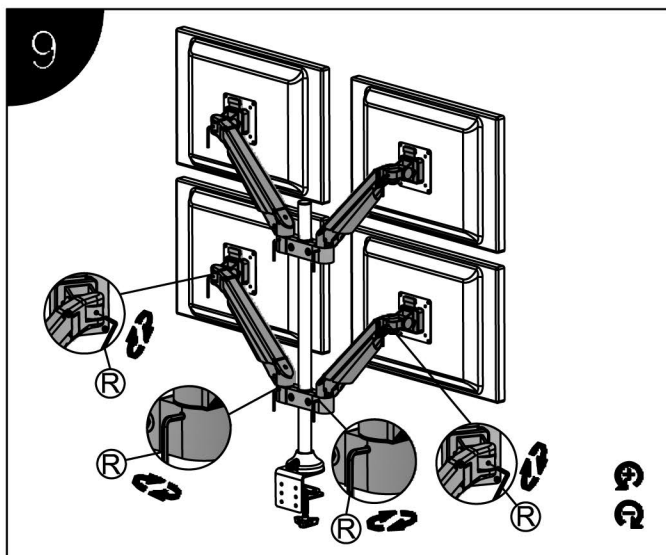
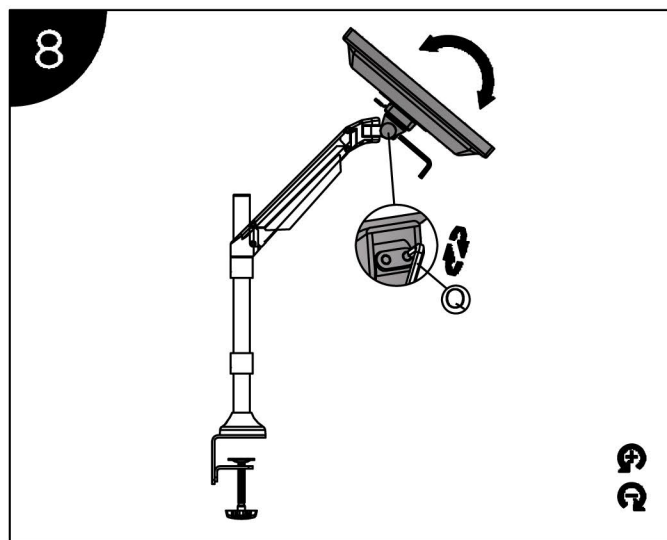
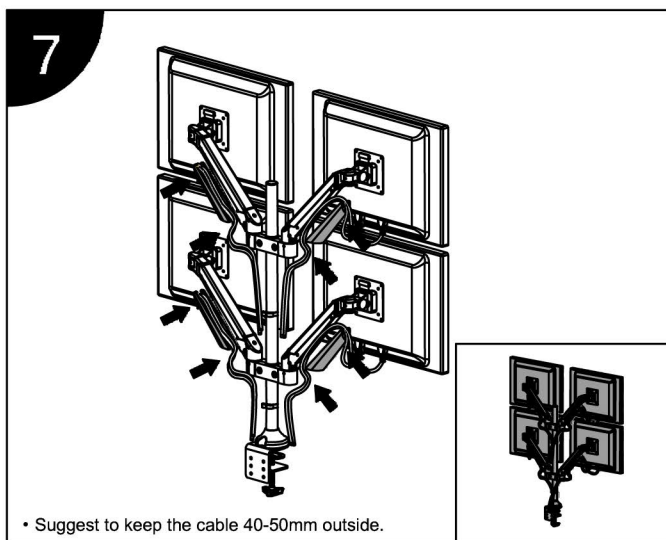
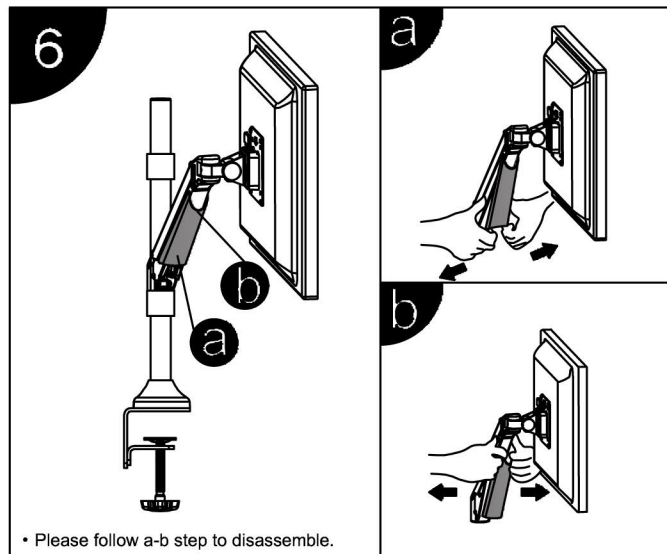
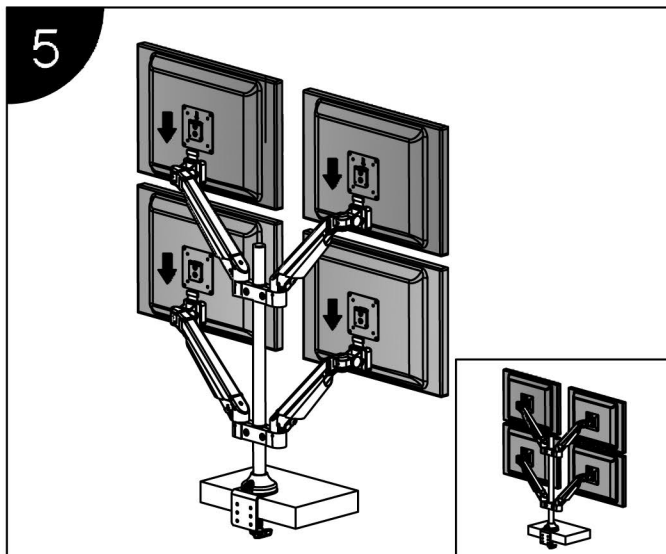


4










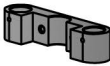










• Please mind the arrow direction.

Installation Manual



Installation Manual

Parts list			
No.	ITEM	SPECS	QUANTITY
A			1
B		M12*90	1
C			1
D		M8*60	1
E			1
F			1
G		M5*10	4
H			2
I			2
J			2
K		M8*25	4
L			4
M			4
N		M4*12	16
O		M6	1
P		M5	1
Q		M4	1
R		M3	1