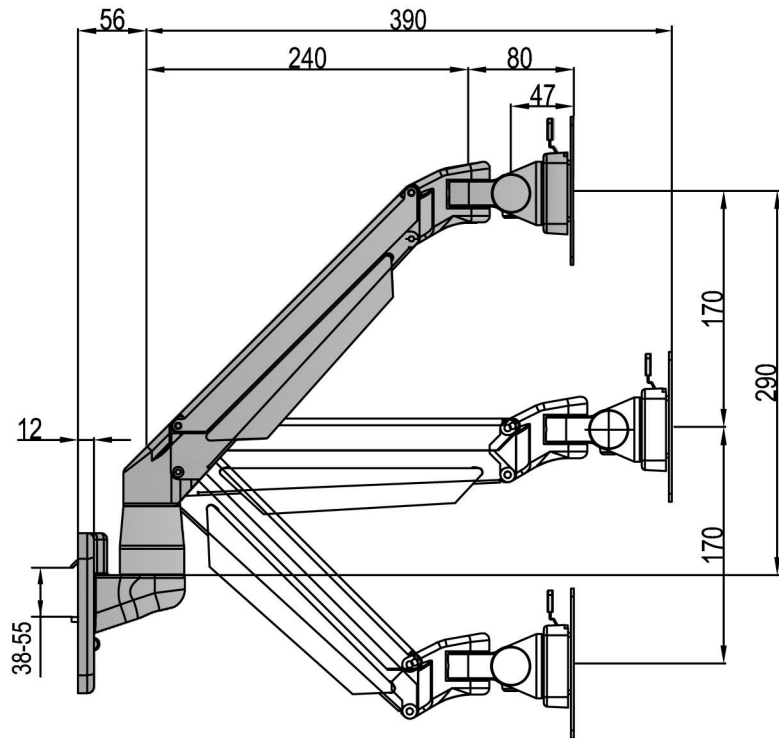


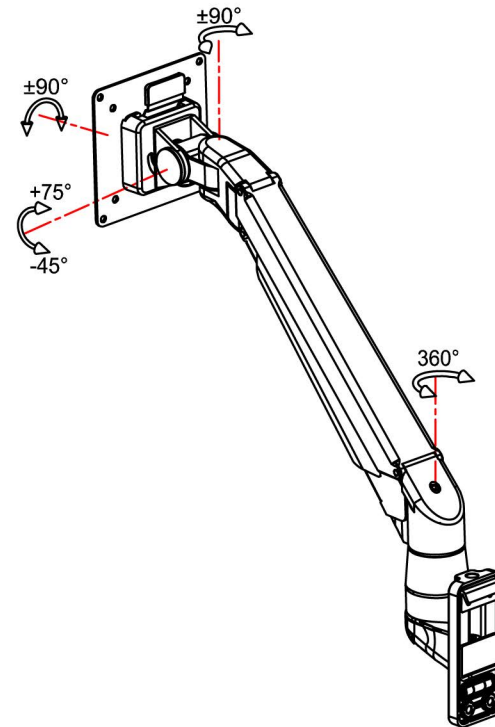
# Product name: Slatrail mount arm

## Model No.: 80921

Product Features	Technical parameter										
<ul style="list-style-type: none"> <li>• Easy to adjust the monitor angle and position to satisfy the different view.</li> <li>• Use the gas cylinder adjust design, make free up&amp;down movement for the monitors.</li> <li>• Multi-screens effect could be achieved in cooperation with the PF series, and independent assortment is feasible if in need.</li> </ul>											Slatrail mount
	LCD Size	Wt.Capacity(kg)	Lift(mm)	Tilt	Swivel	Pivot	VESA	Packing size(mm)	NW (kg)	GW(kg)	Installation range(mm)
	≤30°	2-10 9-21	340	-45° ~+75°	±90°	±90°	75*75 100*100	inner:520*140*110 outer:535*155*350 inner/outer: 3/1	Inner: 1.9 Outer: 5.7	Inner: 2.2 Outer: 7	38-55



Product Dimensions



Multifunctional adjustment figure