





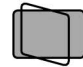

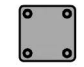
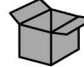


Product name: Wall mount arm

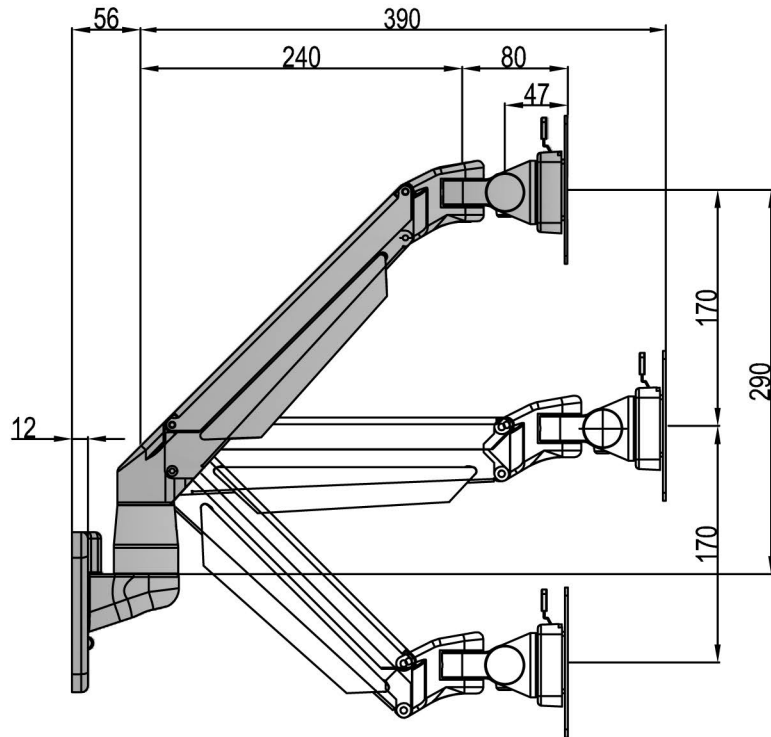
Model No.: 80927

Product Features

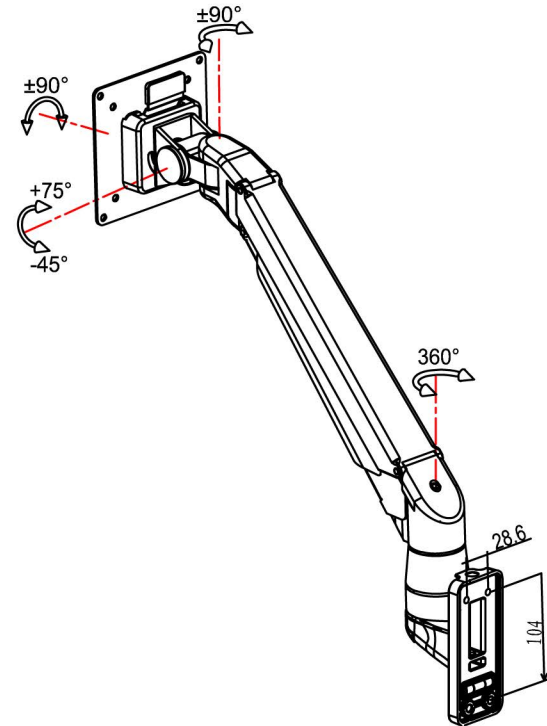
- Easy to adjust the monitor angle and position to satisfy the different view.
- Use the gas cylinder adjust design, make free up&down movement for the monitors.
- Supply larger movable places for LCD by wall mounting.

Technical parameter

											Wall installation
LCD Size	Wt.Capacity(kg)	Lift(mm)	Tilt	Swivel	Pivot	VESA	Packing size(mm)	NW (kg)	GW(kg)	LxW(mm)	
≤30"	2-10	340	-45° ~+75°	±90°	±90°	75*75	inner:520*140*110 outer:535*155*350	Inner: 1.9	Inner: 2.2	28.6*104	
	9-21					100*100	inner/outer: 3/1	Outer: 5.7	Outer: 7		



Product Dimensions



Multifunctional adjustment figure