

Product name: Desk mount dual gas arm

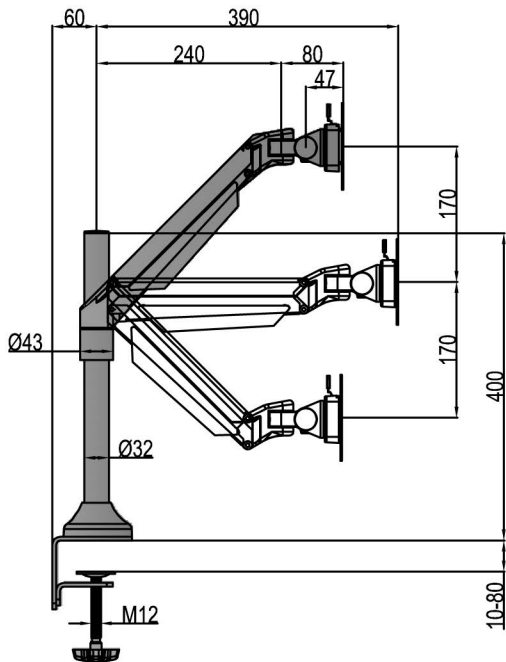
Model No.: 80929

Product Features

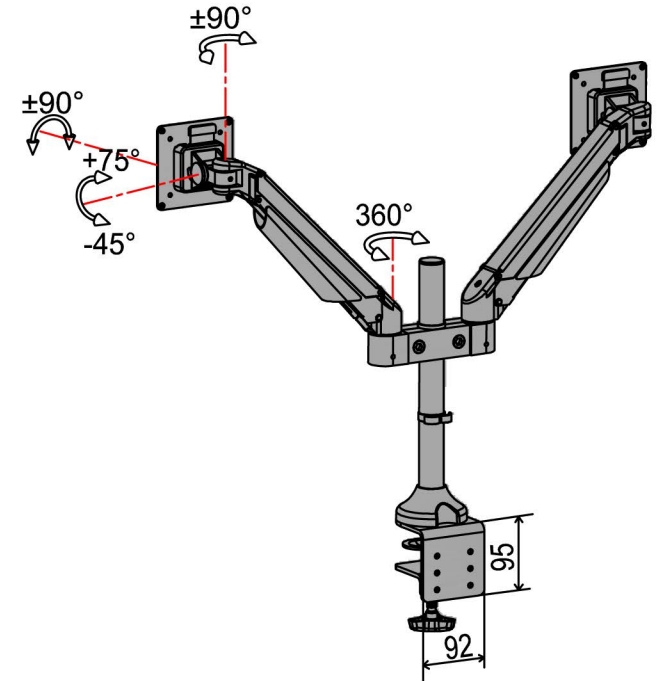
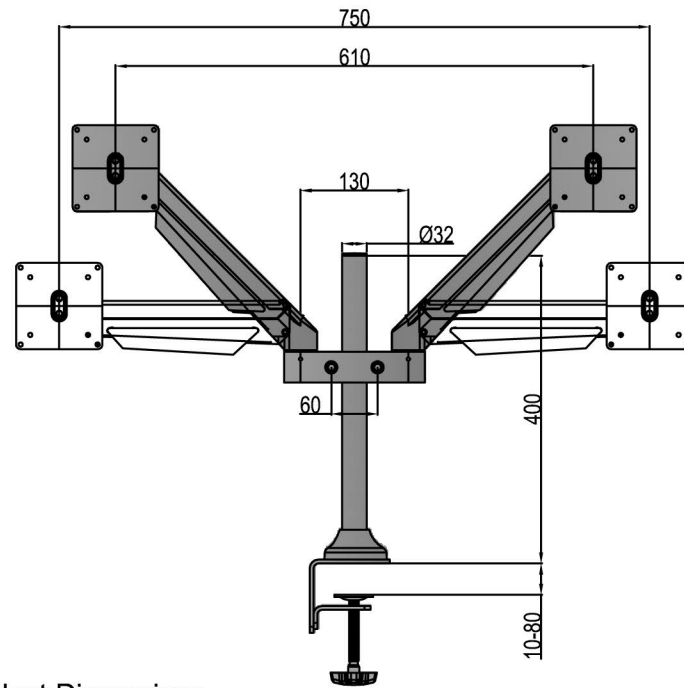
- Easy to adjust the monitor angle and position to satisfy the different view.
- Use the gas cylinder adjust design, make free up&down movement for the monitors.
- Original dual-gas spring design, makes the monitors adjustment separately without interference by each other.

Technical parameter

										Desk thickness application (mm)	
LCD Size	Wt.Capacity(kg)	Lift(mm)	Tilt	Swivel	Pivot	VESA	Packing size(mm)	NW (kg)	GW(kg)	Thru desk	desk clamp
≤24"	2-10 9-21	340	+75° ~ -45°	±90°	±90°	75*75 100*100	Inner:540*220*145 Outer:555*235*455 inner/outer: 3/1	Inner: 6 Outer: 18	Inner: 6.5 Outer: 20	30	80



Product Dimensions



Multifunctional adjustment figure