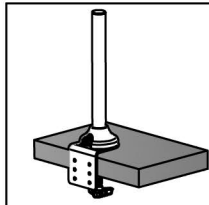
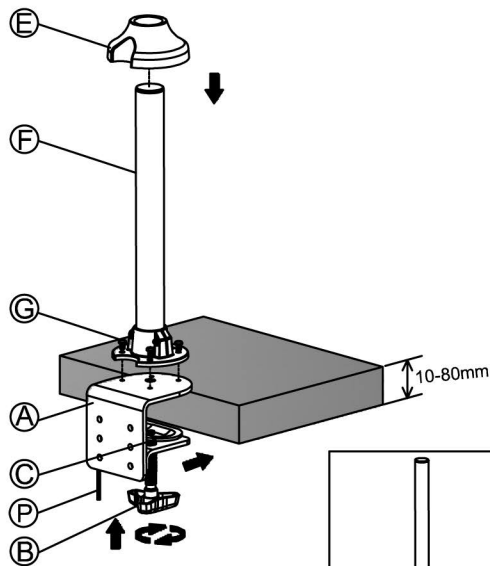
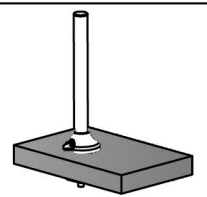
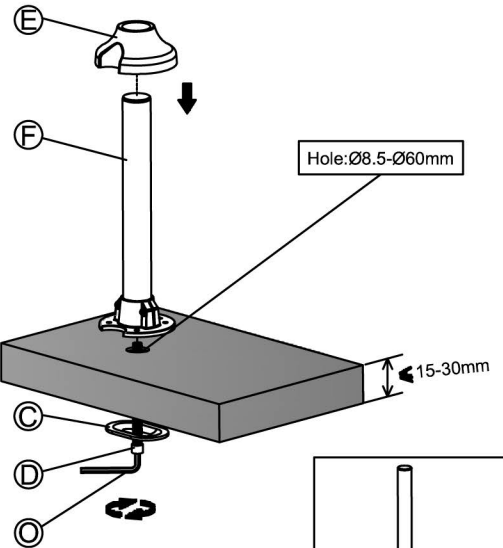


# Installation Manual

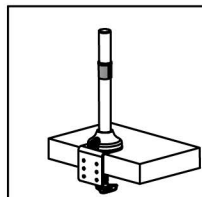
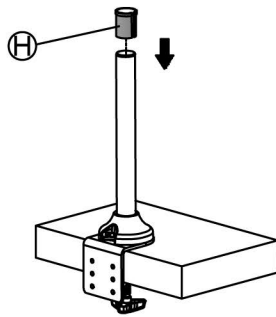
## Desk Clamp



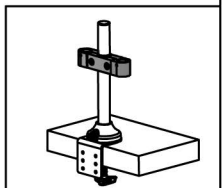
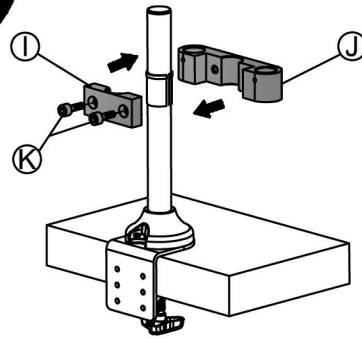
## Thru-Desk



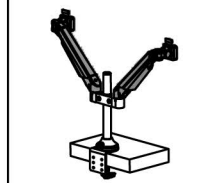
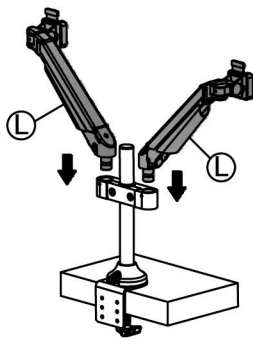
1



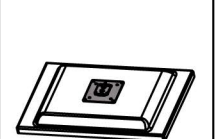
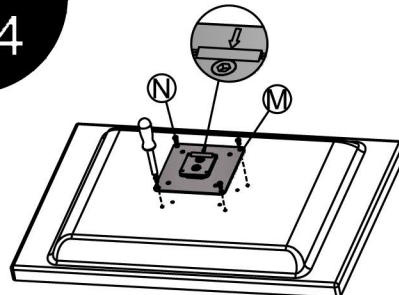
2



3

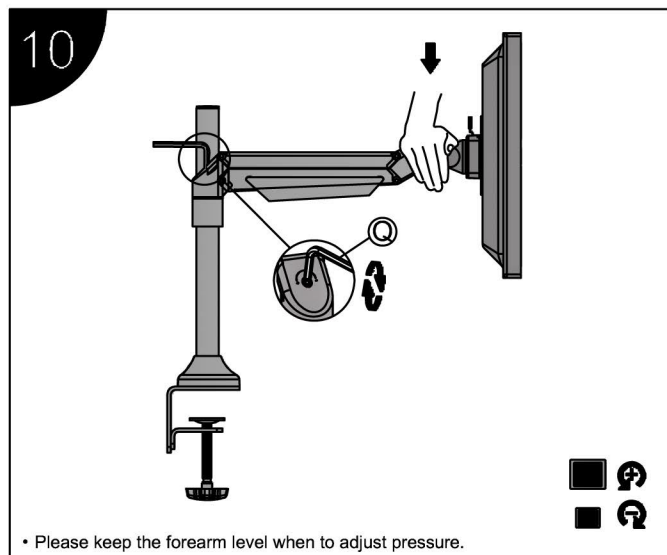
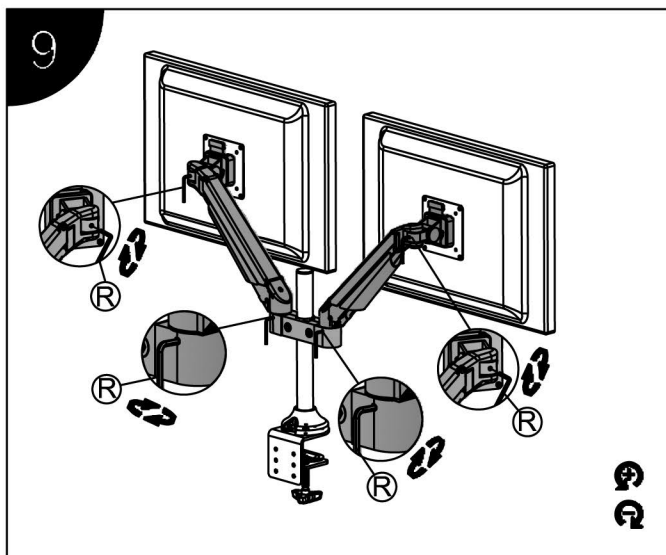
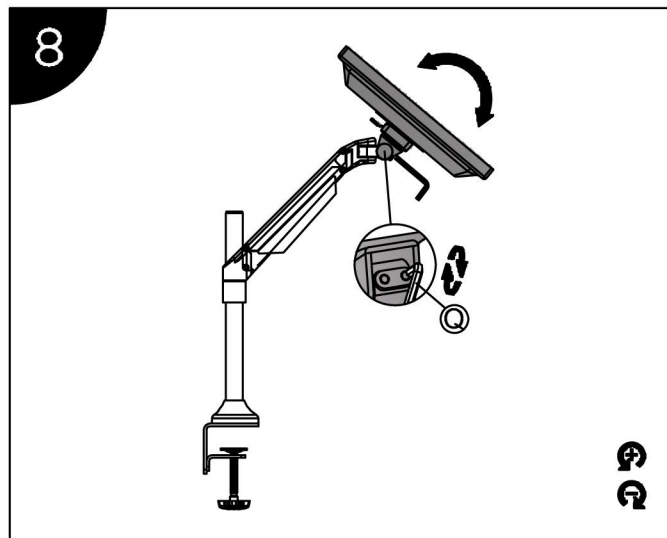
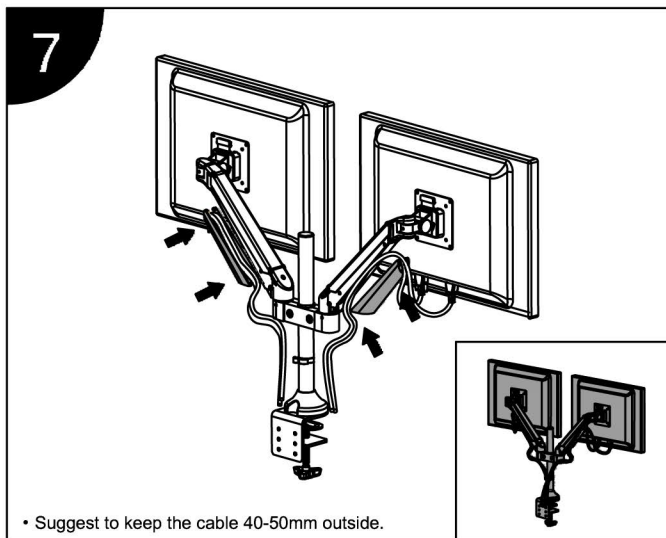
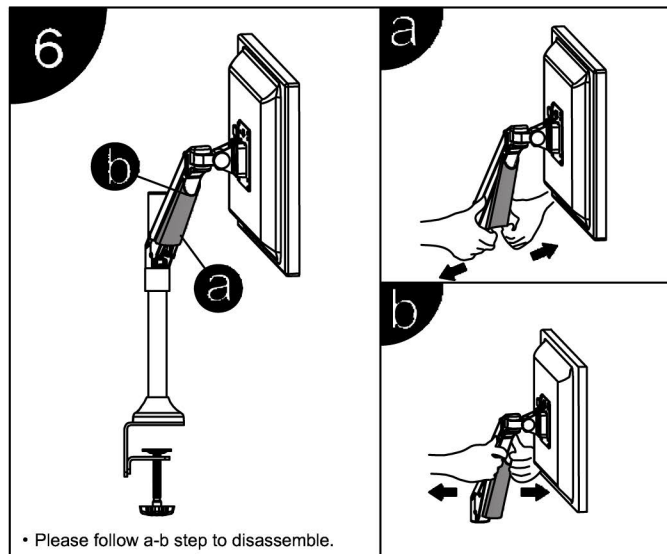
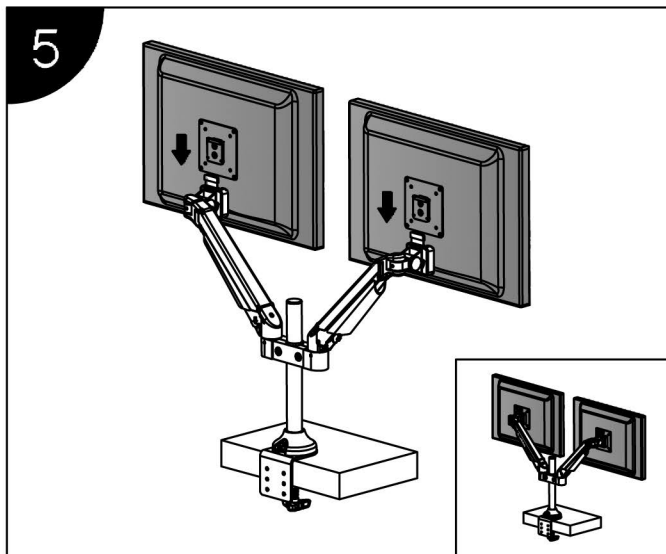


4










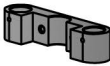










• Please mind the arrow direction.

# Installation Manual



# Installation Manual

| <b>Parts list</b> |   |              |                 |
|-------------------|---|--------------|-----------------|
| <b>No.</b>        | <b>ITEM</b>   | <b>SPECS</b> | <b>QUANTITY</b> |
| A                 |    |              | 1               |
| B                 |    | M12*90       | 1               |
| C                 |    |              | 1               |
| D                 |    | M8*60        | 1               |
| E                 |    |              | 1               |
| F                 |   |              | 1               |
| G                 |  | M5*10        | 4               |
| H                 |  |              | 1               |
| I                 |  |              | 1               |
| J                 |  |              | 1               |
| K                 |  | M8*25        | 2               |
| L                 |  |              | 2               |
| M                 |  |              | 2               |
| N                 |  | M4*12        | 8               |
| O                 |  | M6           | 1               |
| P                 |  | M5           | 1               |
| Q                 |  | M4           | 1               |
| R                 |  | M3           | 1               |