







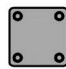
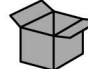


# Product name: Desk mount dual gas arm

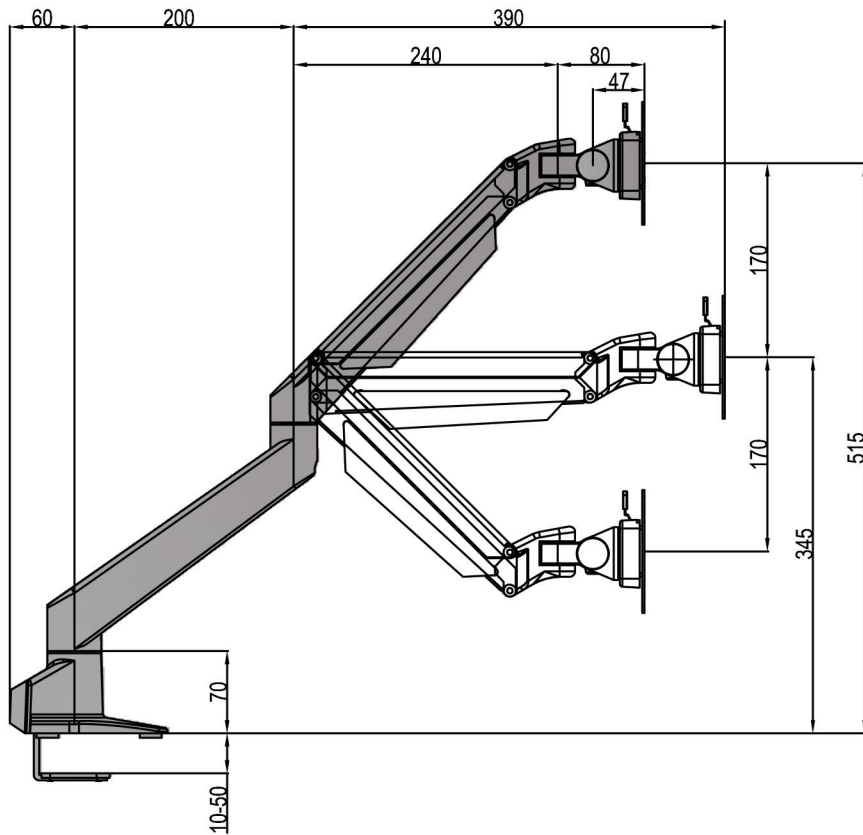
## Model No.: 80918, 80919

### Product Features

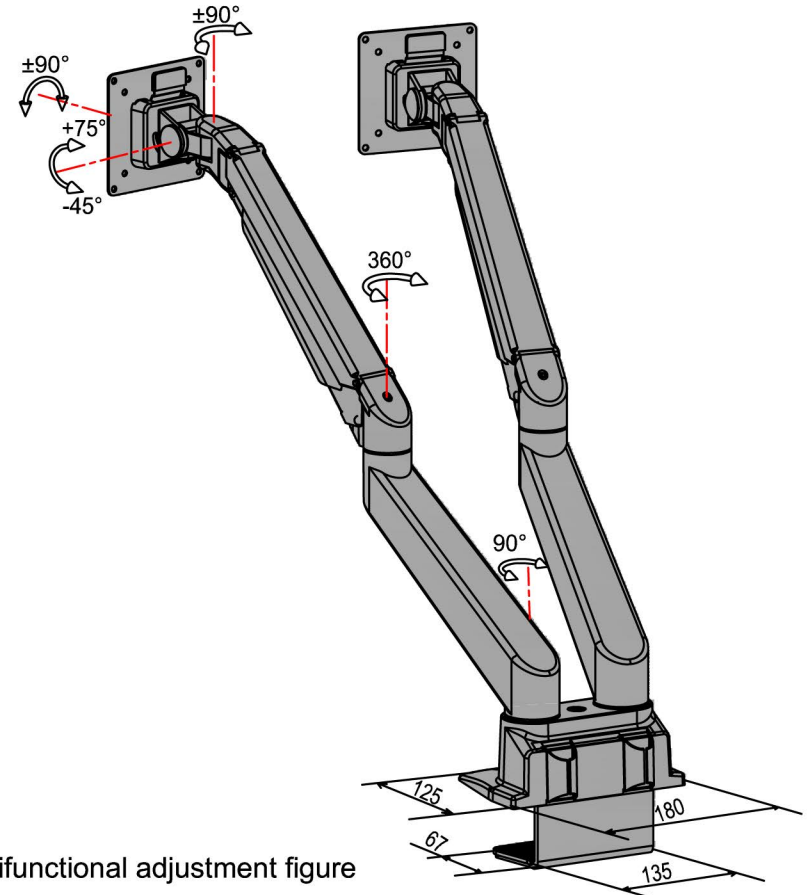
- Makes the monitors adjustment separately without interference by each other.
- Use the gas cylinder adjust design, make free up&down movement for the monitors.
- Simple installation design makes more flexible in using at the narrow place.

### Technical parameter

										Desk thickness application (mm)	
LCD Size	Wt.Capacity(kg)	Lift(mm)	Tilt	Swivel	Pivot	VESA	Packing size(mm)	NW (kg)	GW(kg)	Thru desk	desk clamp
≤24"	2-10 9-21	340	+75° ~ -45°	±90°	±90°	75*75 100*100	inner:580*225*165 outer:595*240*515 inner/outer: 3/1	Inner: 6.8 Outer: 20.4	Inner: 7.5 Outer: 23	60	50



Product Dimensions



Multifunctional adjustment figure