

Product name: Desk mount dual gas arm

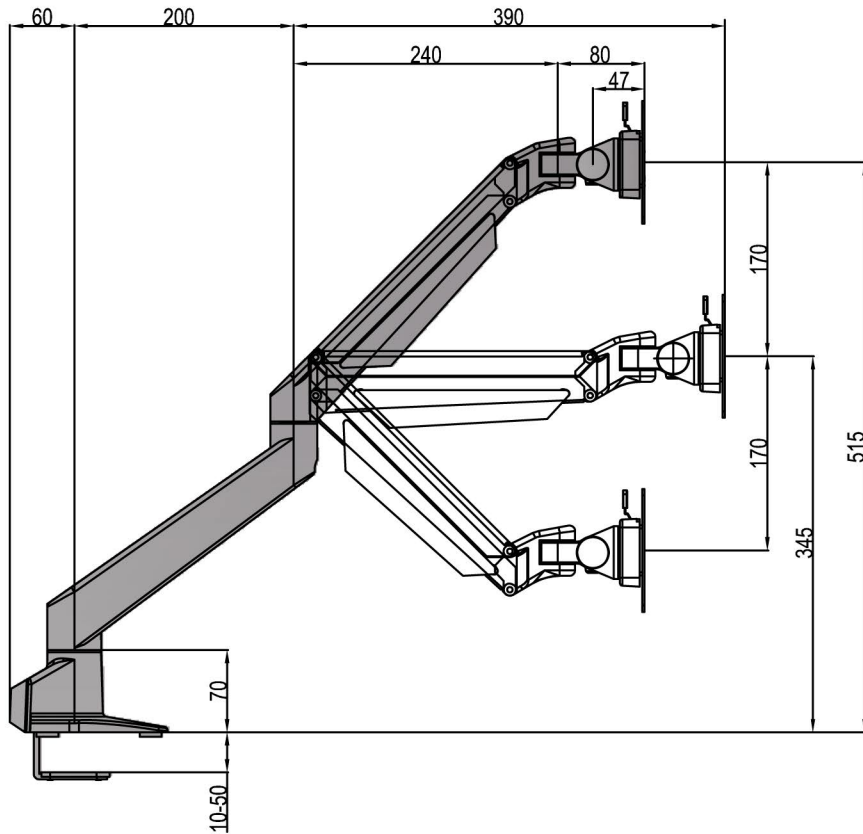
Model No.: 80918, 80919

Product Features

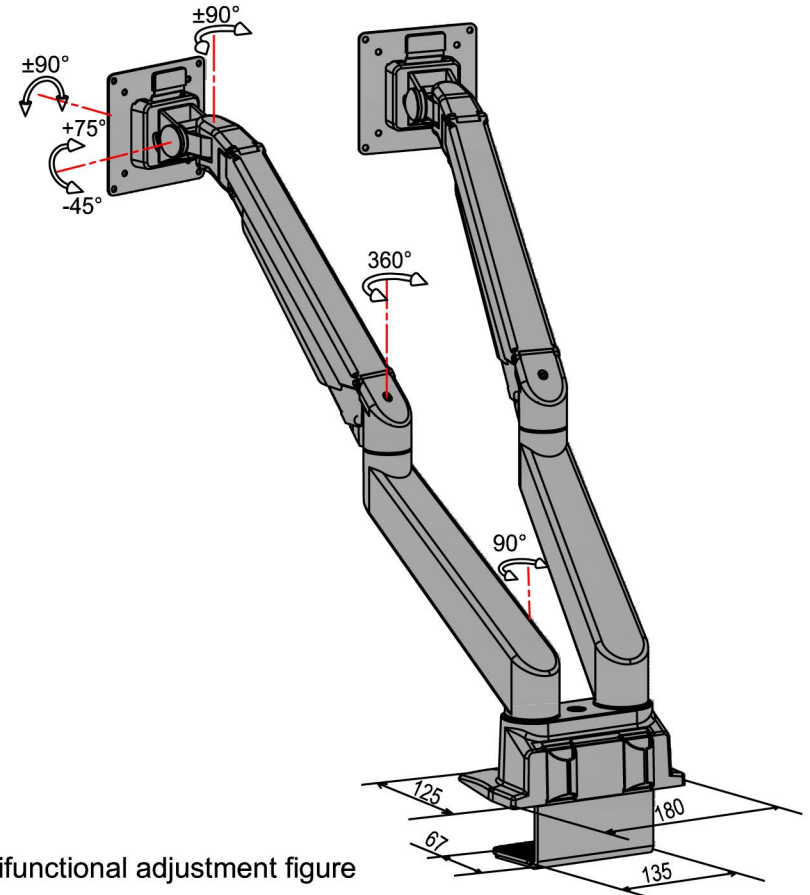
Technical parameter

- Makes the monitors adjustment separately without interference by each other.
- Use the gas cylinder adjust design, make free up&down movement for the monitors.
- Simple installation design makes more flexible in using at the narrow place.

										Desk thickness application (mm)	
LCD Size	Wt.Capacity(kg)	Lift(mm)	Tilt	Swivel	Pivot	VESA	Packing size(mm)	NW (kg)	GW(kg)	Thru desk	desk clamp
≤24"	2-10 9-21	340	+75° ~ -45°	±90°	±90°	75*75 100*100	inner:580*225*165 outer:595*240*515 inner/outer: 3/1	Inner: 6.8 Outer: 20.4	Inner: 7.5 Outer: 23	60	50



Product Dimensions



Multifunctional adjustment figure