

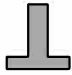



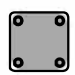





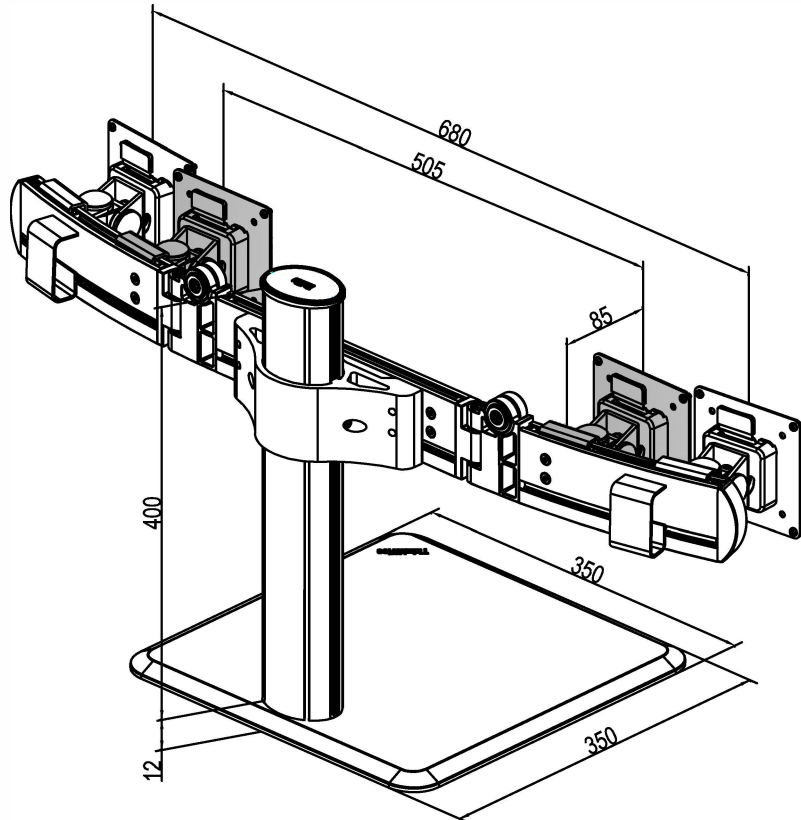
Product name: Pro View - 809154

Product Features

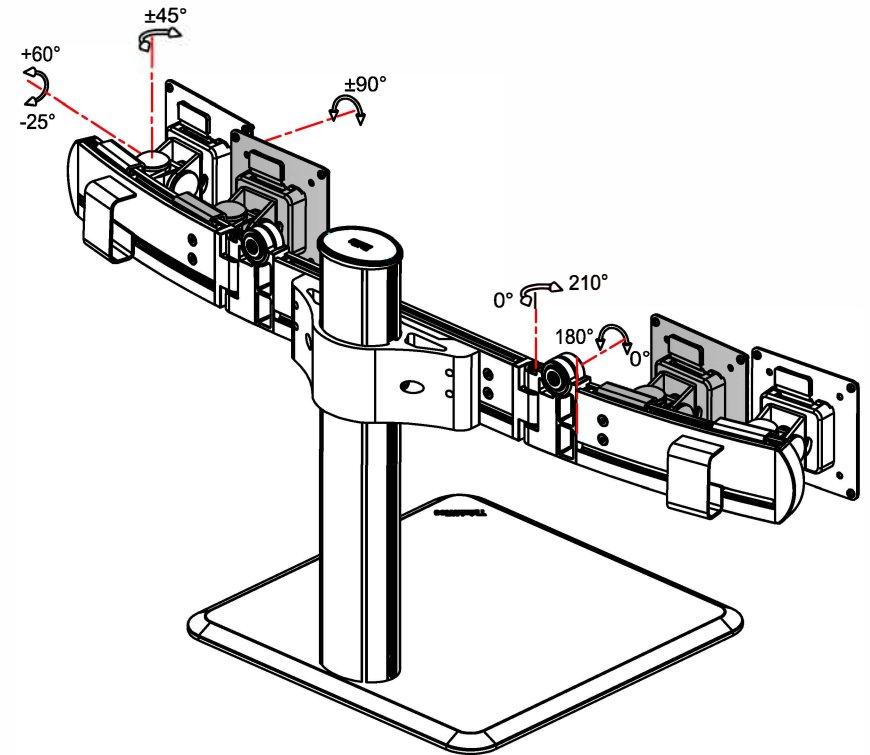
- Mainly used in the controlling, finance, and monitoring systems.
- With the internal cable management, making the desk more concise and artistic.
- More functional arm design could make the monitors slide easily, the left and right arms could stretch back and forward, folding up and down.

Technical parameter

											Stand base mount
	LCD Size	Wt.Capacity(kg)	Lift(mm)	Tilt	Swivel	Pivot	VESA	Packing size(mm)	NW (kg)	GW(kg)	LXW(mm)
	≤24"	11	400	+60° ~ -25°	± 45°	± 90°	75*75 100*100	L203Inner: 875*265*180 DPInner: 400*400*45	5.4 2.3	6.8 2.6	350x350



Product Dimensions



Multifunctional adjustment figure