


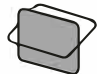






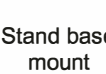


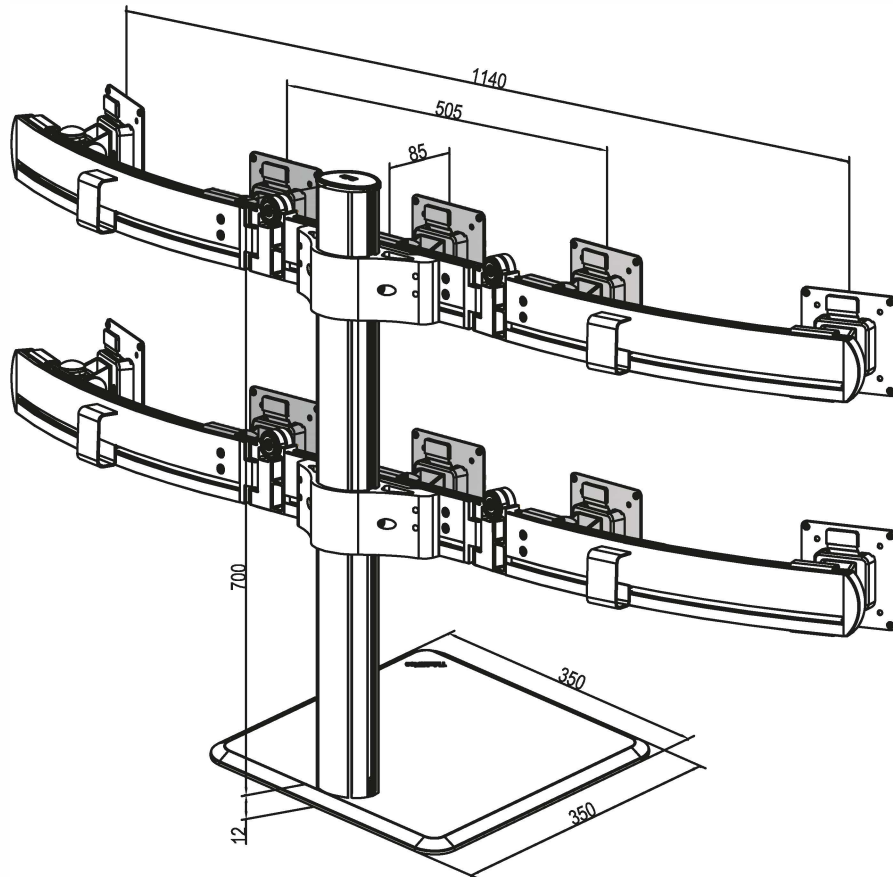
Product name: Pro View - 809152

Product Features

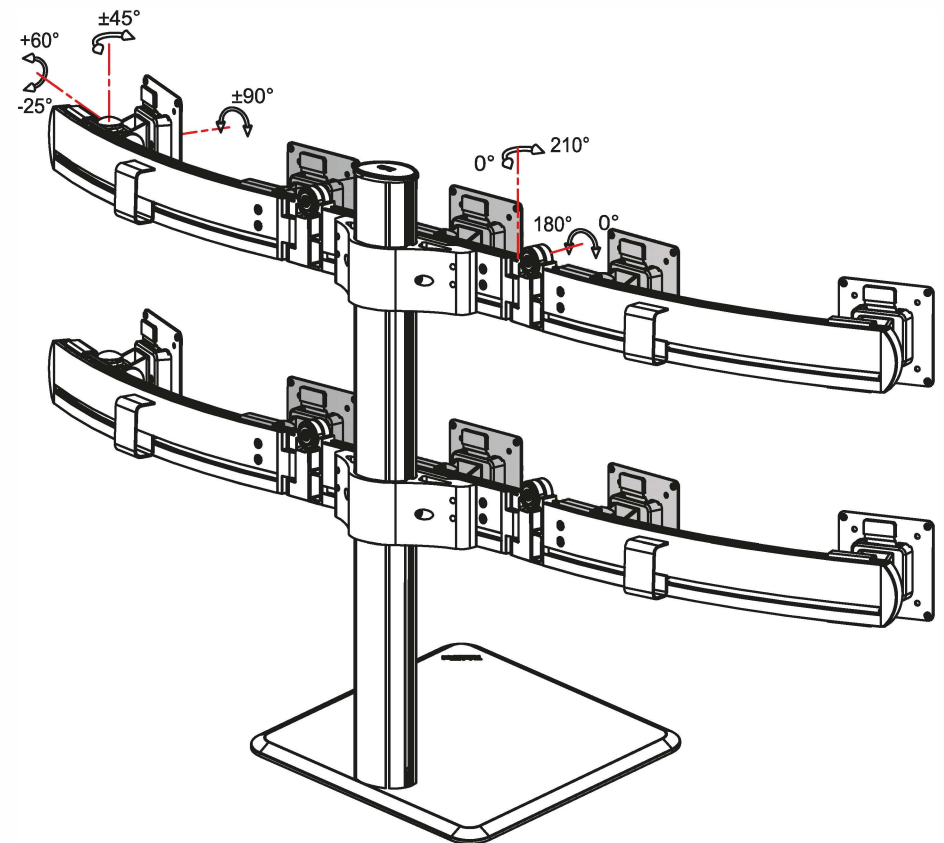
- Mainly used in the controlling, finance, and monitoring systems.
- With the internal cable management, making the desk more concise and artistic.
- More functional arm design could make the monitors slide easily, the left and right arms could stretch back and forward, folding up and down.

Technical parameter

										
LCD Size	Wt.Capacity(kg)	Lift(mm)	Tilt	Swivel	Pivot	VESA	Packing size(mm)	NW (kg)	GW(kg)	LXW(mm)
≤24"	8	700	+60° ~ -25°	±45°	±90°	75*75 100*100	1380*410*180	16.3	19.6	350x350



Product Dimensions



Multifunctional adjustment figure