

# Product name: Pro View - 809151

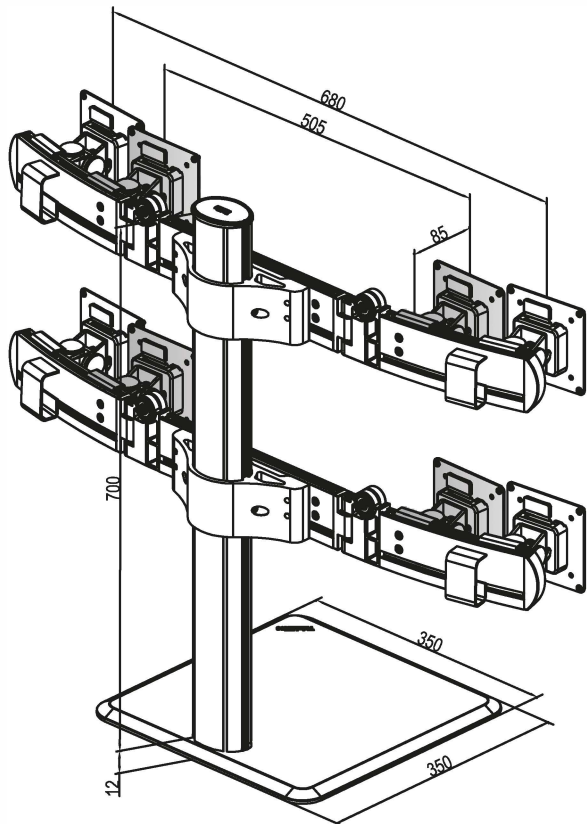


## Product Features

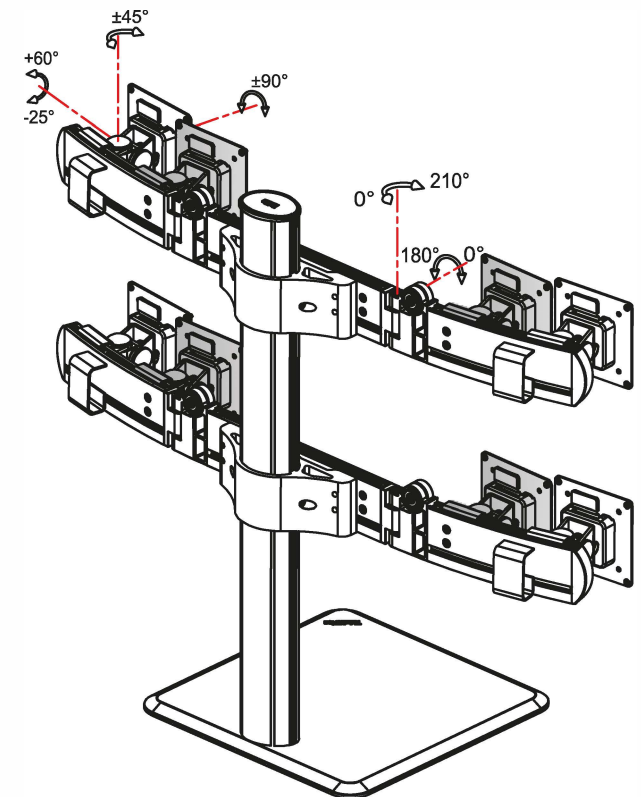
- Mainly used in the controlling, finance, and monitoring systems.
- With the internal cable management, making the desk more concise and artistic.
- More functional arm design could make the monitors slide easily, the left and right arms could stretch back and forward, folding up and down.

## Technical parameter

										Stand base mount
LCD Size	Wt.Capacity(kg)	Lift(mm)	Tilt	Swivel	Pivot	VESA	Packing size(mm)	NW (kg)	GW(kg)	LXW(mm)
≤24"	8	700	+60° ~ -25°	±45°	±90°	75*75 100*100	L400Inner: 900*330*180 DPIinner: 400*400*45	9.6 2.3	11.8 2.6	350x350



Product Dimensions



Multifunctional adjustment figure