

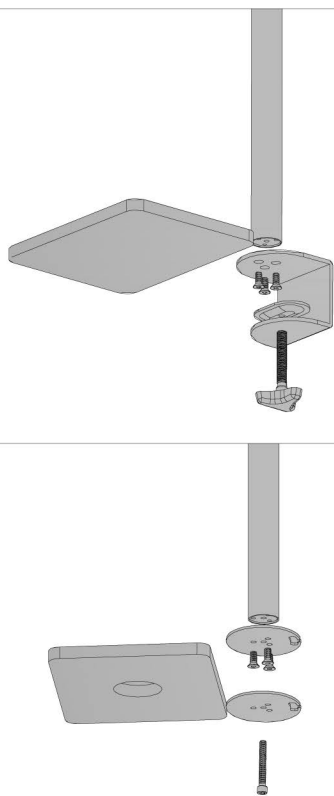
Product name: Dual LCD monitor arm

Model No.: 80900, 80901, 80902

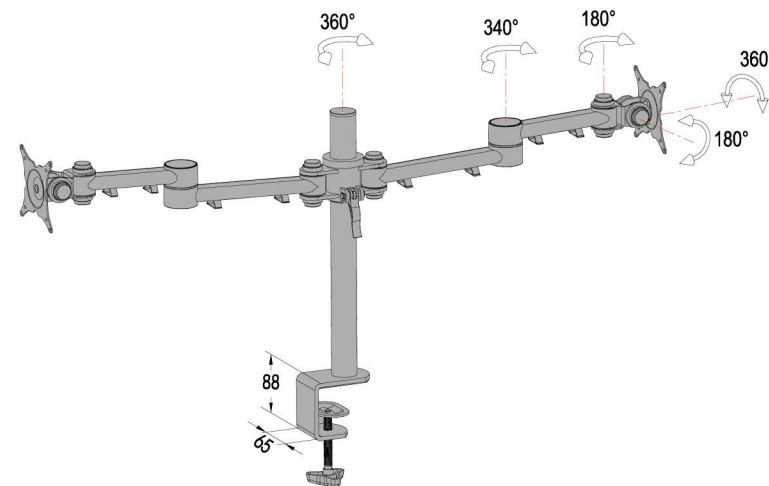
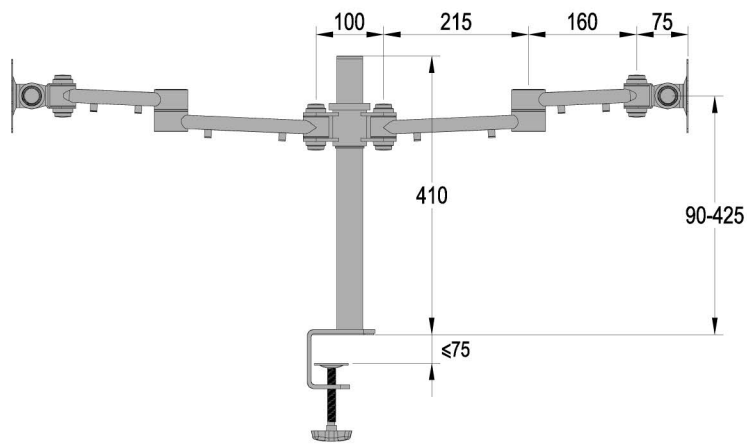
Product Features

- Combin with multi-arms to suspend two monitors in one arm, easy to adjust position of LCD. Only by one touch, the LCD will reaches to the ideal place.




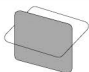


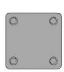

Product Dimensions



mm



Technical parameter

							
LCD Size	Wt.Capacity	Lift	Tilt	Swivel	Pivot	VESA	Packing size
≤24"	≤13	400mm	180°	180°	360°	75*75 100*100	620*235*165mm

Multifunctional adjustment figure